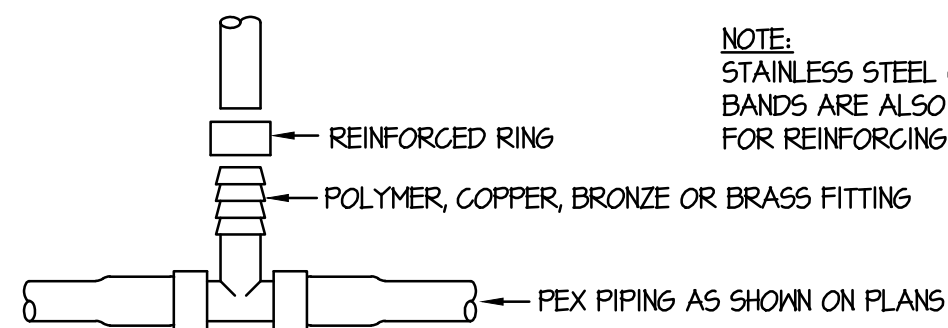
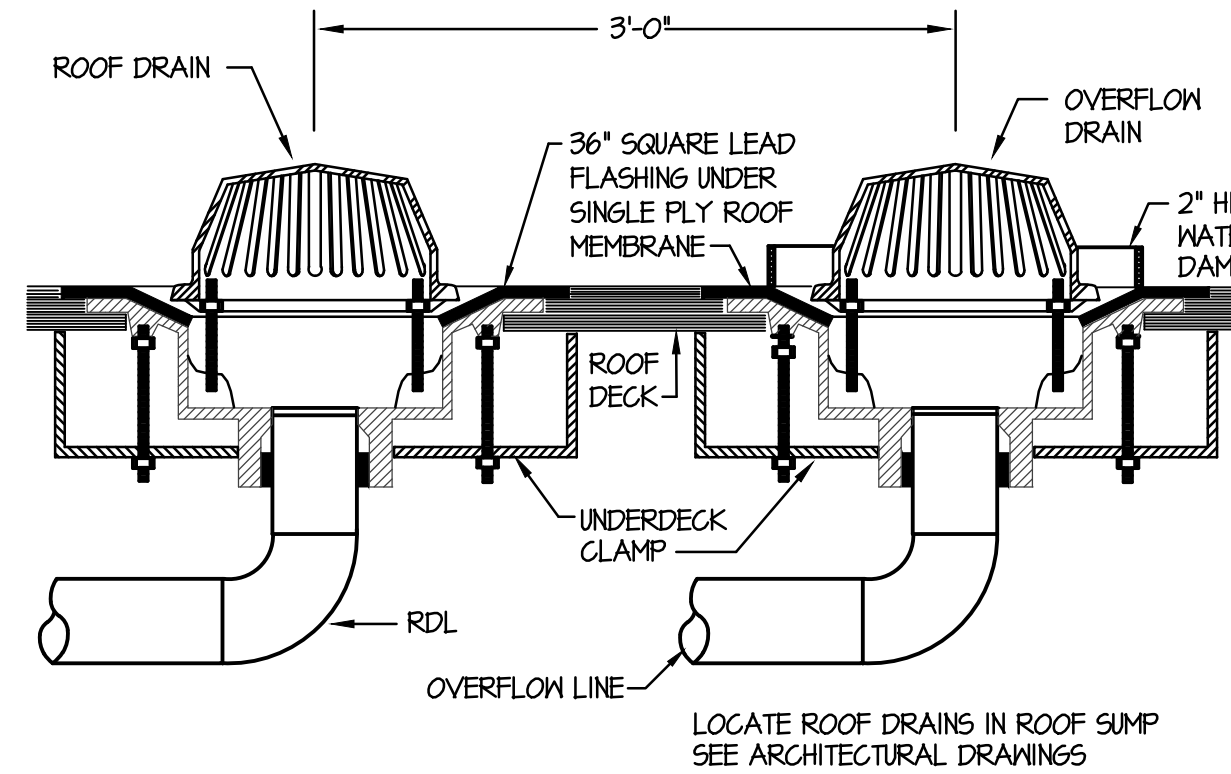


THIS TYPE (COLD EXPANSION) OF FITTING REQUIRES THAT THE PEX PIPING, WITH REINFORCING PEX RING PLACED OVER THE END OF THE PIPE, IS EXPANDED BEFORE THE FITTING IS INSERTED INTO THE PIPE END. THE EXPANDED PIPE END IS ALLOWED TO RETRACT ONTO THE FITTING TO FORM THE SEAL. THE MEMORY OF THE PIPE ALLOWS IT TO TIGHTEN OVER THE FITTING. AN EXPANDER TOOL IS REQUIRED TO EXPAND THE PIPE AND THE PEX RING TOGETHER.

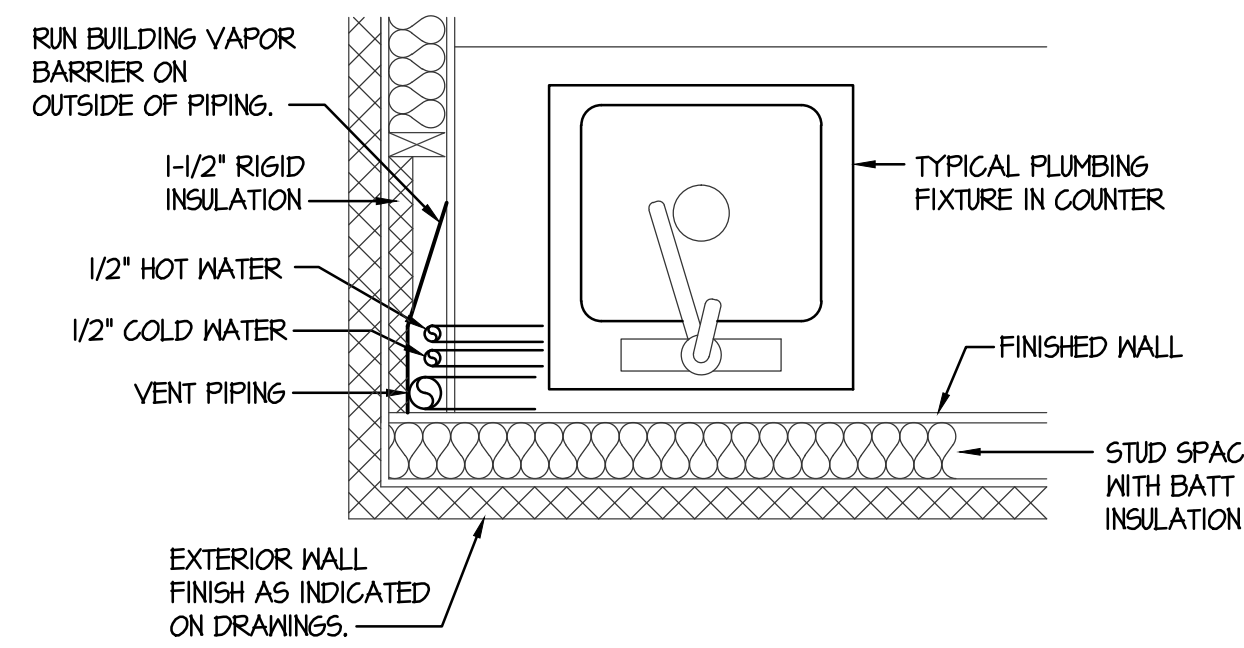
ALL JOINTS (TEES, ELBOWS, COUPLINGS, ETC.) ARE JOINTED SIMILARLY.



NOTE: STAINLESS STEEL CAMP BANDS ARE ALSO PERMITTED FOR REINFORCING RING.



LOCATE ROOF DRAINS IN ROOF SUMP SEE ARCHITECTURAL DRAWINGS

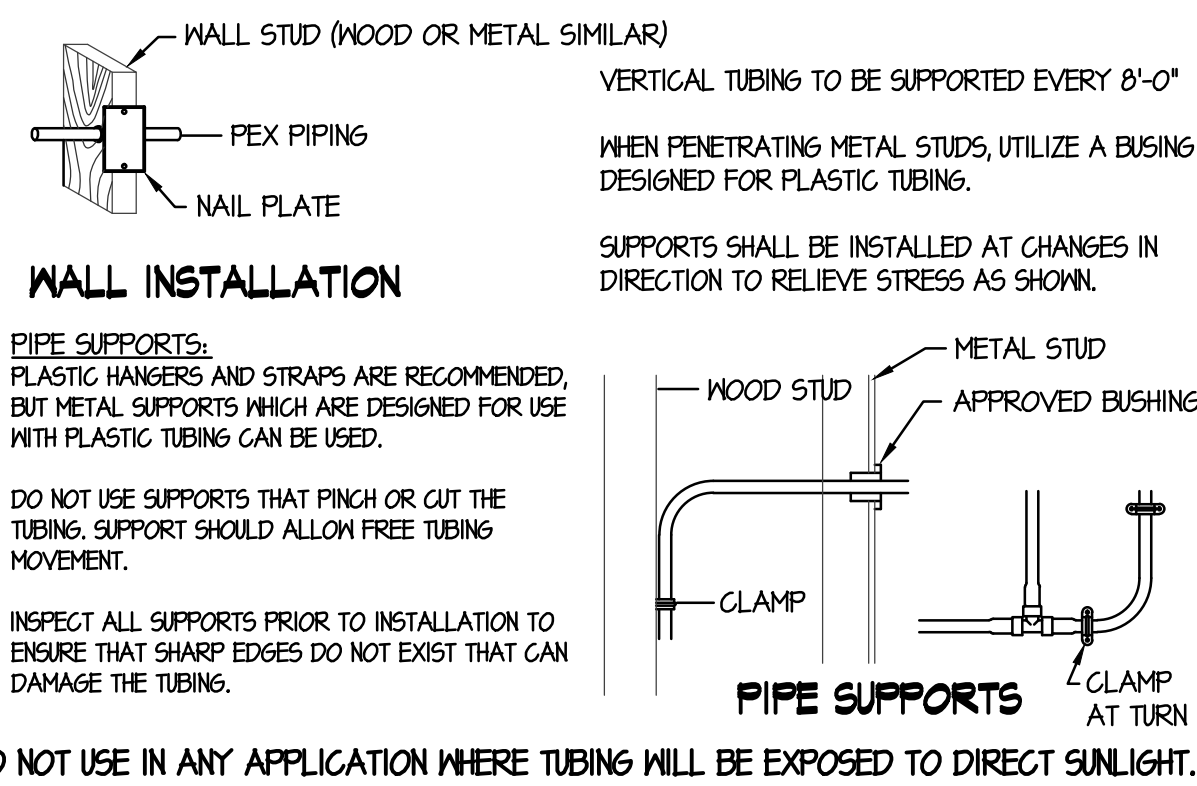


EXTERIOR WALL FINISH AS INDICATED ON DRAWINGS.

A PEX PIPE FITTING DETAIL NO SCALE

B ROOF DRAIN DETAIL NO SCALE

C PIPING IN OUTSIDE WALL DETAIL NO SCALE



WALL INSTALLATION

PIPE SUPPORTS: PLASTIC HANGERS AND STRAPS ARE RECOMMENDED, BUT METAL SUPPORTS WHICH ARE DESIGNED FOR USE WITH PLASTIC TUBING CAN BE USED.

DO NOT USE SUPPORTS THAT PINCH OR CUT THE TUBING. SUPPORT SHOULD ALLOW FREE TUBING MOVEMENT.

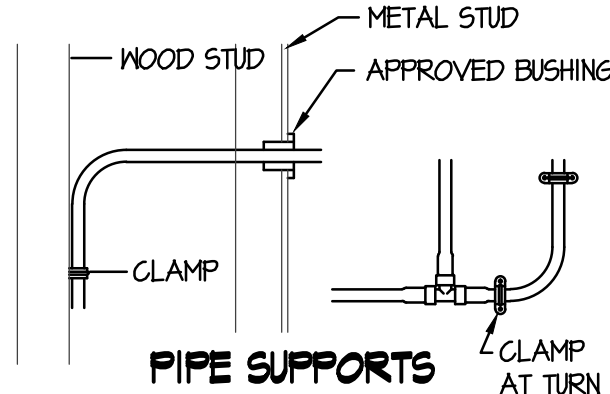
INSPECT ALL SUPPORTS PRIOR TO INSTALLATION TO ENSURE THAT SHARP EDGES DO NOT EXIST THAT CAN DAMAGE THE TUBING.

DO NOT USE IN ANY APPLICATION WHERE TUBING WILL BE EXPOSED TO DIRECT SUNLIGHT.

VERTICAL TUBING TO BE SUPPORTED EVERY 8'-0"

WHEN PENETRATING METAL STUDS, UTILIZE A BUSHING DESIGNED FOR PLASTIC TUBING.

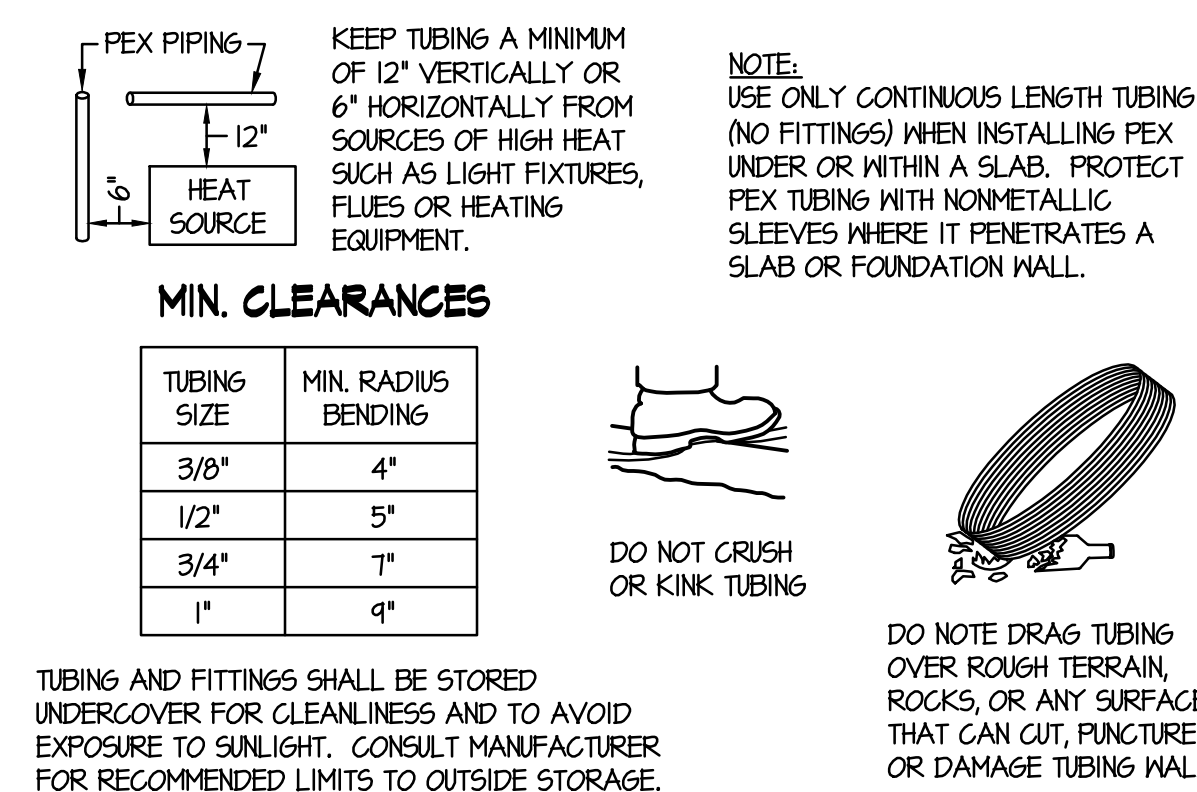
SUPPORTS SHALL BE INSTALLED AT CHANGES IN DIRECTION TO RELIEVE STRESS AS SHOWN.



D PEX PIPE INSTALLATION DETAIL NO SCALE

E WALL MOUNTED EYE WASH DETAIL NO SCALE

F DECK MOUNTED EYE WASH DETAIL NO SCALE

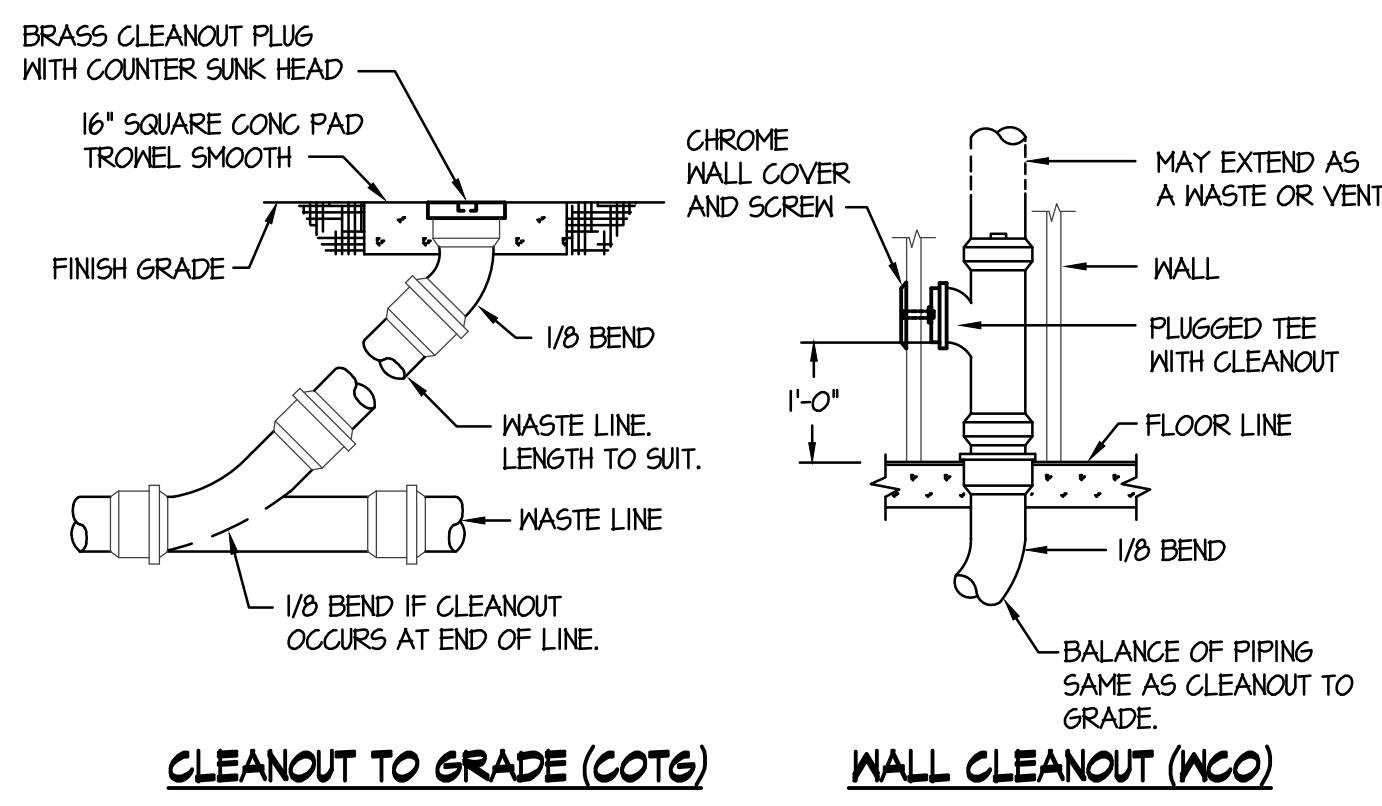


MIN. CLEARANCES

TUBING SIZE	MIN. RADIUS BENDING
3/8"	4"
1/2"	5"
3/4"	7"
1"	9"

DO NOT CRUSH OR KINK TUBING

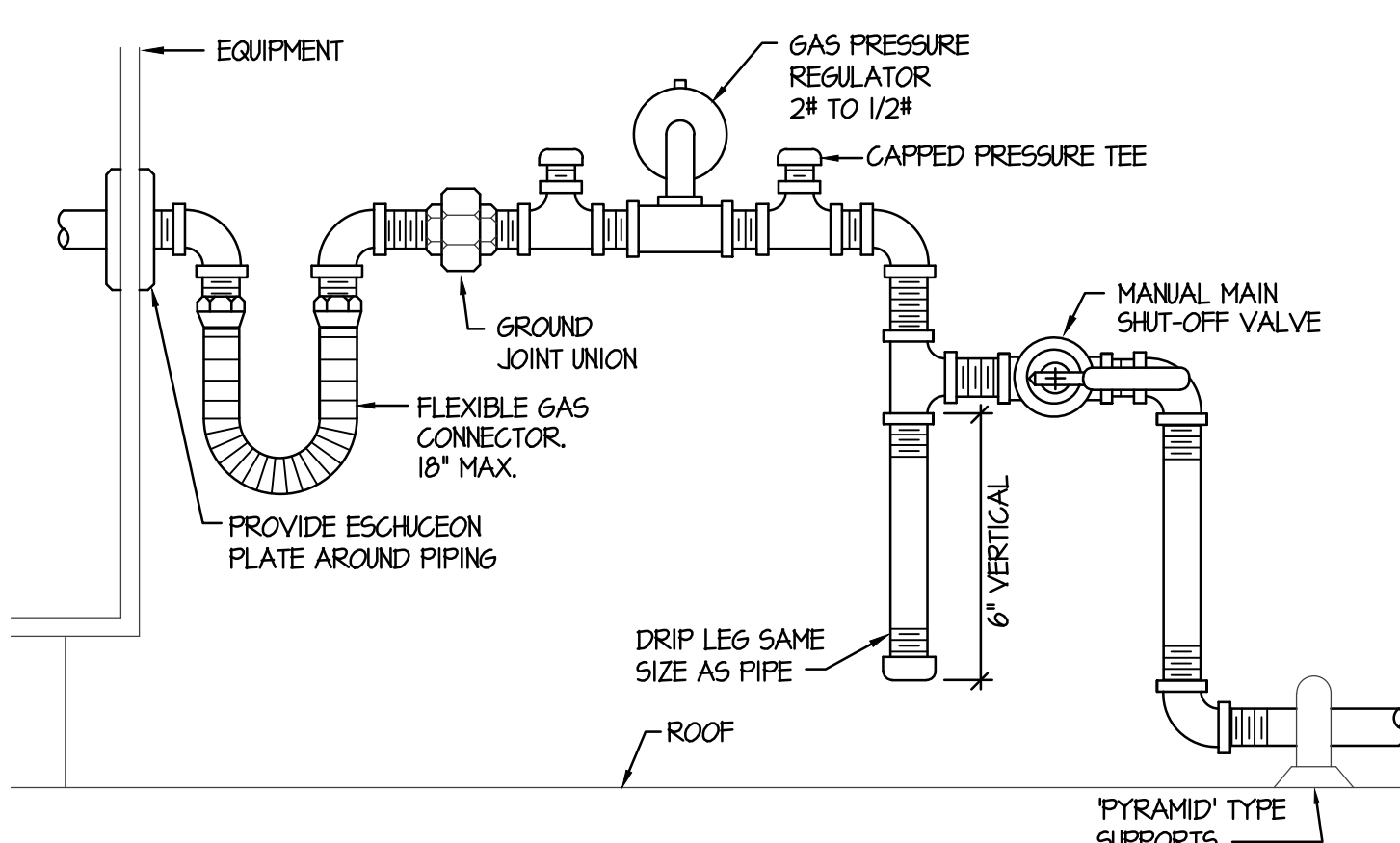
TUBING AND FITTINGS SHALL BE STORED UNDERCOVER FOR CLEANLINESS AND TO AVOID EXPOSURE TO SUNLIGHT. CONSULT MANUFACTURER FOR RECOMMENDED LIMITS TO OUTSIDE STORAGE.



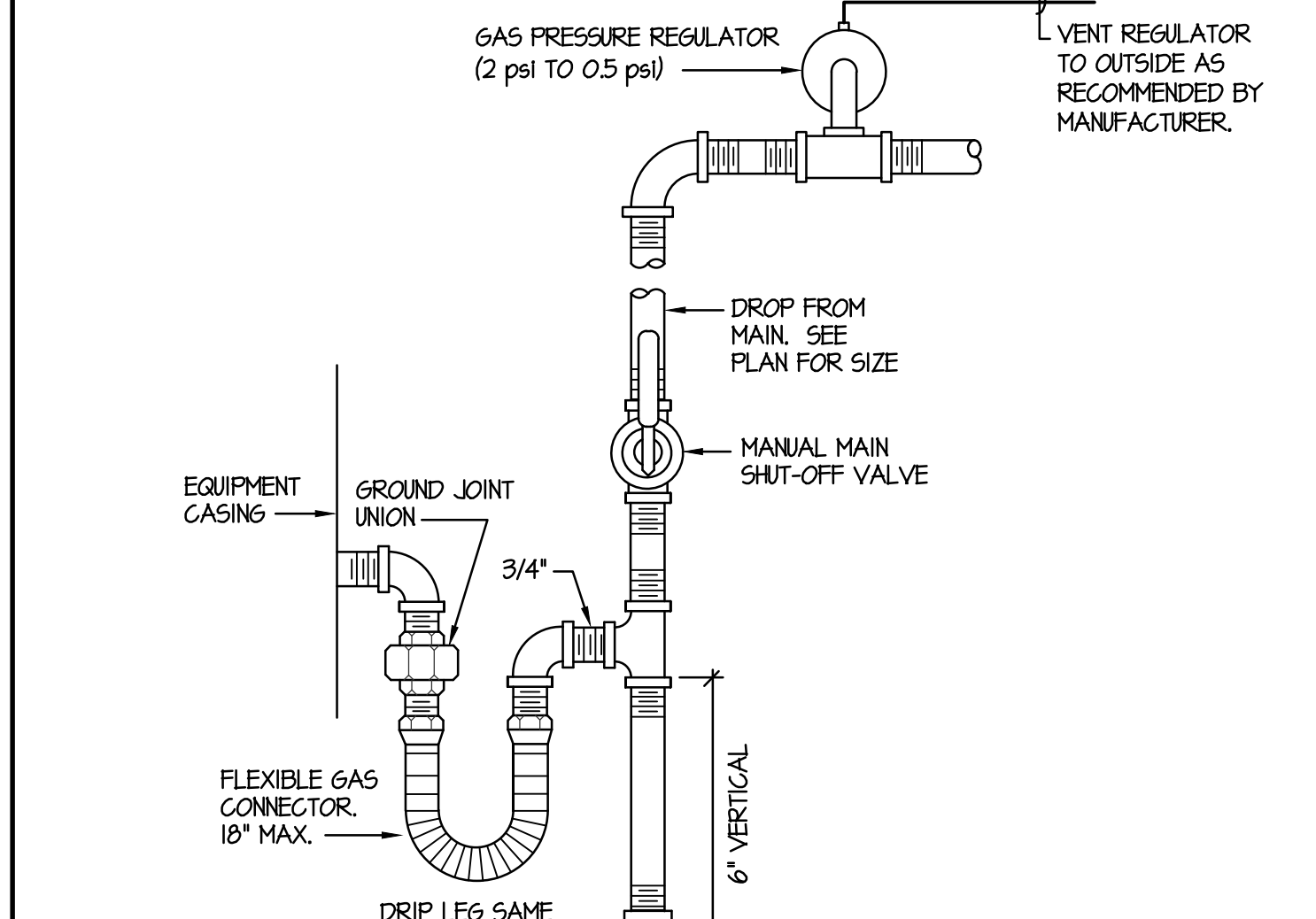
CLEANOUT TO GRADE (COTG) WALL CLEANOUT (WCO)

G PEX PIPE HANDLING DETAIL NO SCALE

H CLEAN OUT DETAILS NO SCALE



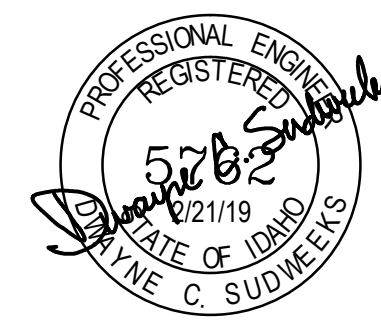
K ROOF TOP EQUIPMENT GAS LINE CONNECTION NO SCALE



L GAS LINE CONNECTION DETAIL NO SCALE

FIXTURE SCHEDULE					
SYM.	DESCRIPTION	HOT	COLD	WASTE	VENT
DF-1	B1-LEVEL DRINKING FOUNTAIN - ELKAY MODEL L23TLBWSLK WITH BOTTLE FILLER STATION AND FILTER, FRONT BAR OPERATORS, 1/2" STOP, 1-1/2" P-TRAP, AND FLEX-GUARD SAFETY BUBBLER.	---	1/2"	1-1/2"	1-1/2"
EW-1	DECK MOUNTED EYE WASH STATION - GUARDIAN MODEL G1805 RIGHT HAND MOUNTING WITH SWING ARM VALVE BODY, 1/2" SUPPLY LINE AND DUST COVERS ON WASH HEADS. MOUNT WITH CORRECT DISTANCES FOR ADA ACCESS. REFER TO DETAIL FP3.2 FOR TYPICAL INSTALLATION.	---	1/2"	---	---
EW-2	WALL MOUNTED EYE WASH STATION - HAWS MODEL 7260BT WITH PUSH-OPEN BALL VALVE, EYE WASH BOWL, 1/2" SUPPLY LINE AND 1-1/2" WASTE LINE PIPED TO ADJACENT SERVICE SINK. REFER TO DETAIL EP3.2 FOR TYPICAL INSTALLATION.	---	1/2"	---	---
FD-1	2" FLOOR DRAIN - ZURN Z-400-SS WITH 5'-6" NICKEL-BRONZE, SQUARE STRAINER AND 2" DEEP SEAL P-TRAP. RUN 1/2" COLD WATER LINE TO TRAP PRIMER. REFER TO DETAIL MP3.1 FOR TYPICAL INSTALLATION.	---	1/2"	2"	2"
FS-1	FLOOR SINK - ZURN Z-1900-3 WITH WHITE ENAMEL FINISH, DOME STRAINER AND 4" DEEP SEAL P-TRAP. RUN 1/2" COLD WATER LINE TO TRAP PRIMER. REFER TO DETAIL MP3.1 FOR TYPICAL INSTALLATION.	---	1/2"	2"	2"
HB-1	EXTERIOR HOSE BIBB - ZURN Z-1310 "ECOLOTROL" WITH REMOVABLE HANDLE AND VACUUM BREAKER. LENGTH TO SUIT WALL THICKNESS. REFER TO DETAIL EP3.1 FOR TYPICAL INSTALLATION.	---	3/4"	---	---
JS-1	FLOOR MOUNTED SERVICE SINK - KOHLER K-6710 "WHITBY" WITH K-8940 WIRE RIM GUARD, K-9142 PERFORATED STRAINER AND 2" DEEP SEAL P-TRAP. MOUNT K-8008-CP FAUCET ON WALL COMPLETE WITH VACUUM BREAKER, WALL BRACE, AND PAIL HOOK. PROVIDE 5'-0" RUBBER HOSE AND WALL CLIP.	1/2"	1/2"	2"	2"
L-1	WALL MOUNTED LAVATORY - KOHLER K-2032-N (SIZE 20x18) "GREENWICH" WITH K-7715 OPEN GRID STRAINER, SLOAN EBF-85 INFRARED FAUCET (BATTERY), 1/2" STOPS, 1-1/2" P-TRAP AND WALL CARRIER. PROVIDE INSULATING JACKET ON WASTE AND HOT WATER LINES.	1/2"	1/2"	1-1/2"	1-1/2"
OD-1	3" OVERFLOW DRAIN - JAY R. SMITH MODEL 1080 WITH UNDER DECK CLAMP, DOME STRAINER, 2" HIGH WATER DAM, AND 3" DRAIN LINE CONNECTION. REFER TO DETAIL BP3.2 FOR TYPICAL INSTALLATION.	---	---	3"	---
OD-2	6" OVERFLOW DRAIN - JAY R. SMITH MODEL 1080 WITH UNDER DECK CLAMP, DOME STRAINER, 2" HIGH WATER DAM, AND 6" DRAIN LINE CONNECTION. REFER TO DETAIL BP3.2 FOR TYPICAL INSTALLATION.	---	---	6"	---
RD-1	3" ROOF DRAIN - JAY R. SMITH MODEL 1010 WITH UNDER DECK CLAMP, DOME STRAINER, AND 3" DRAIN LINE CONNECTION. REFER TO DETAIL BP3.2 FOR TYPICAL INSTALLATION.	---	---	3"	---
RD-2	6" ROOF DRAIN - JAY R. SMITH MODEL 1010 WITH UNDER DECK CLAMP, DOME STRAINER, AND 6" DRAIN LINE CONNECTION. REFER TO DETAIL BP3.2 FOR TYPICAL INSTALLATION.	---	---	6"	---
RP-1	HOT WATER RECIRC PUMP - B&G SERVICES LR-20BF "LITTLE RED" WITH 4 GPM FLOW AT 8' HEAD AND 3/4" LINE CONNECTIONS. MOUNT NEAR WATER HEATER. REFER TO DETAIL KP3.1 FOR TYPICAL PIPE CONNECTIONS.	3/4"	---	---	---
S-1	EXAM ROOM SINK - ELKAY MODEL LR-1715 WITH LK-406GN054 GOOSENECK FAUCET WITH WRIST BLADE HANDLES, LK-35 DUO-STRAINER, 1/2" STOPS, AND 1-1/2" P-TRAP.	1/2"	1/2"	1-1/2"	1-1/2"
S-2	LAB SINK - ELKAY MODEL DLR-1918 WITH LK-406GN054 GOOSENECK FAUCET WITH WRIST BLADE HANDLES, LK-35 DUO-STRAINER, 1/2" STOPS, AND 1-1/2" P-TRAP.	1/2"	1/2"	1-1/2"	1-1/2"
S-3	DOUBLE COMPARTMENT SINK - ELKAY MODEL LR-2519 WITH LK-4100 LEVER HANDLE FAUCET, (2) LK-35 DUO-STRAINERS, 1/2" STOPS, AND 1-1/2" P-TRAP.	1/2"	1/2"	1-1/2"	1-1/2"
TP-1	TRAP PRIMER - ZURN Z-1020XL TRAP PRIMER SYSTEM. MOUNT RECESSED IN WALL WITH COVER. RUN 1/2" COLD WATER LINE TO EACH TRAP AS SHOWN ON FLOOR PLANS. REFER TO DETAIL MP3.1 FOR INSTALLATION. (1) TRAP PRIMER CAN SERVE (2) FLOOR DRAINS.	---	1/2"	---	---
WC-1	ADA FLUSH VALVE WATER CLOSET - KOHLER K-4389 "HIGHCLIFF" WITH ELONGATED BOWL, K-4670C OPEN FRONT SEAT, SLOAN 8111 OPTIMA PLUS (BATTERY POWERED) SENSOR FLUSH VALVE AND BOLT CAPS.	---	1"	4"	2"
WF-1	3" WALL FLANGE - JAY R. SMITH MODEL 1770 WITH ROUGH-BRONZE FINISH AND WALL FLANGE. MOUNT AS HIGH AS POSSIBLE.	---	---	3"	---
WF-2	6" WALL FLANGE - JAY R. SMITH MODEL 1770 WITH ROUGH-BRONZE FINISH AND WALL FLANGE. MOUNT AS HIGH AS POSSIBLE.	---	---	6"	---
WH-1	WATER HEATER - A.O. SMITH MODEL GPDX-75 WITH 75 GALLON TANK AND 70,000 BTU CAPACITY, 1" SUPPLIES AND T&P RELIEF VALVE, THERMAL EXPANSION TANK, HEAT TRAP NIPPLES AND SYMMONS 7-500 MIXING VALVE. SEE DETAIL KP3.1 FOR TYPICAL PIPING. EXTEND (2) 3" Dia. VENTS THRU WALL.	1"	1"	---	---

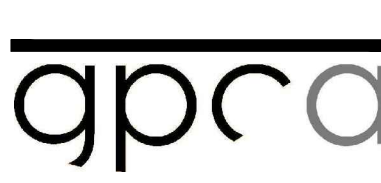
gpc architects
18 N. Main St., Ste. 200
Driggs, Idaho 83422
208.354.8036
www.gpcarchitects.com



Ownership & Use of Documents
Drawings and specifications, as instruments of professional service are and shall remain the property of the architect. These documents are not to be used in whole or in part for any project or purpose whatsoever, without the prior specific written authorization of GPC Architects PLLC.



GRAND PEAKS MEDICAL CLINIC
ST. ANTHONY, IDAHO



revisions

no.	description	date

project: 1804
date: 06/06/2019

PLUMBING SCHEDULE AND DETAILS

sheet: